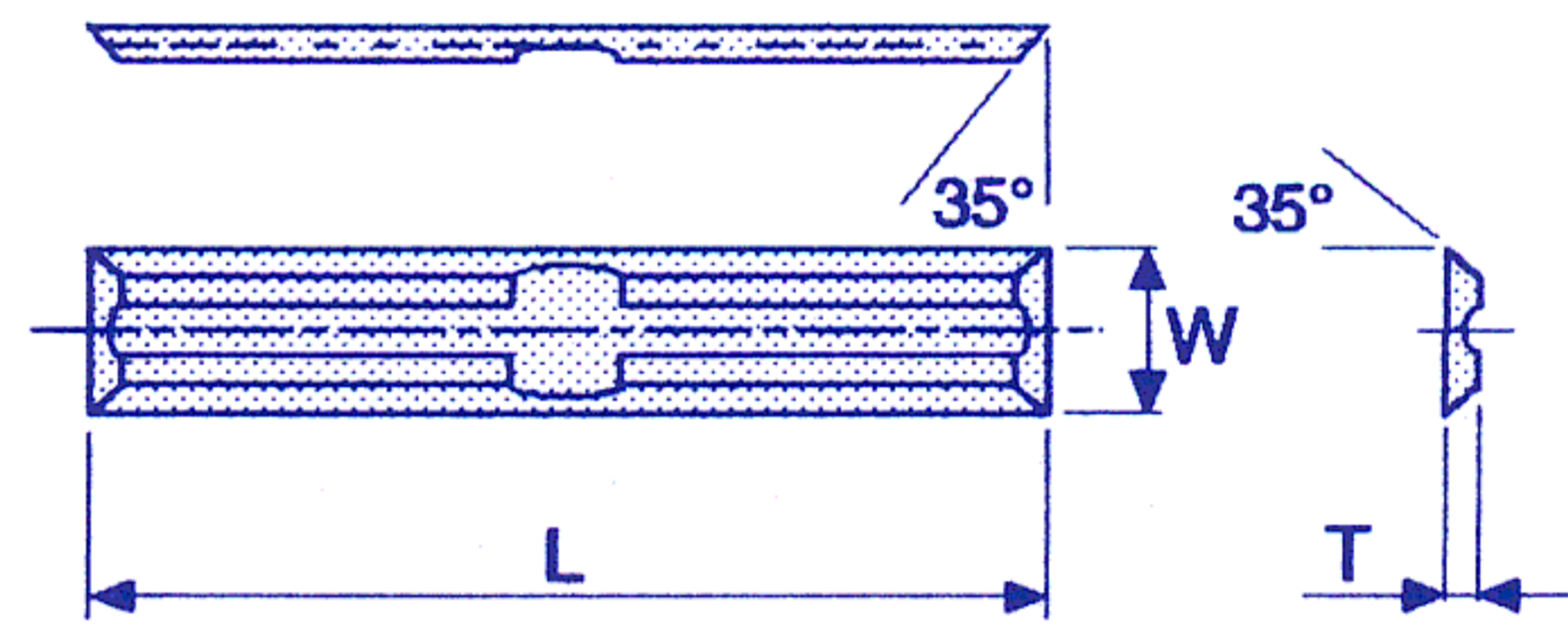
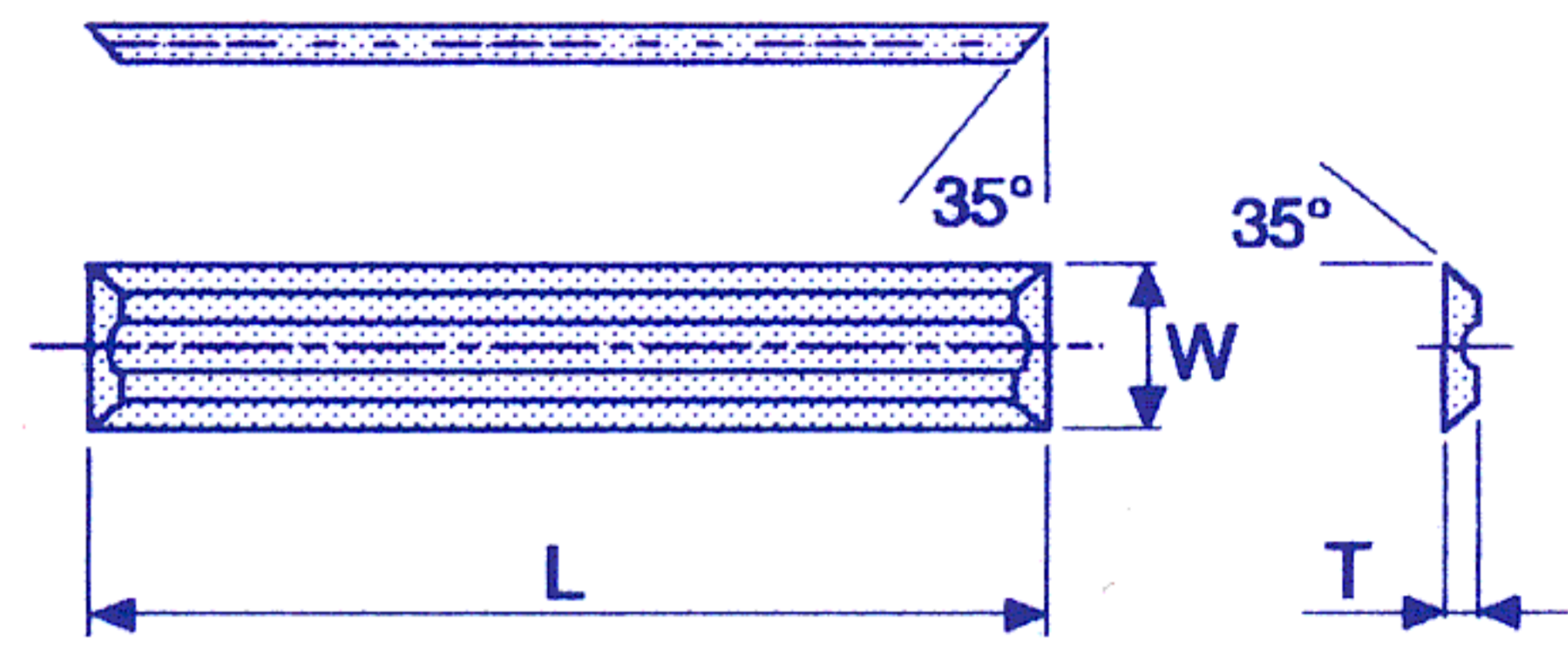
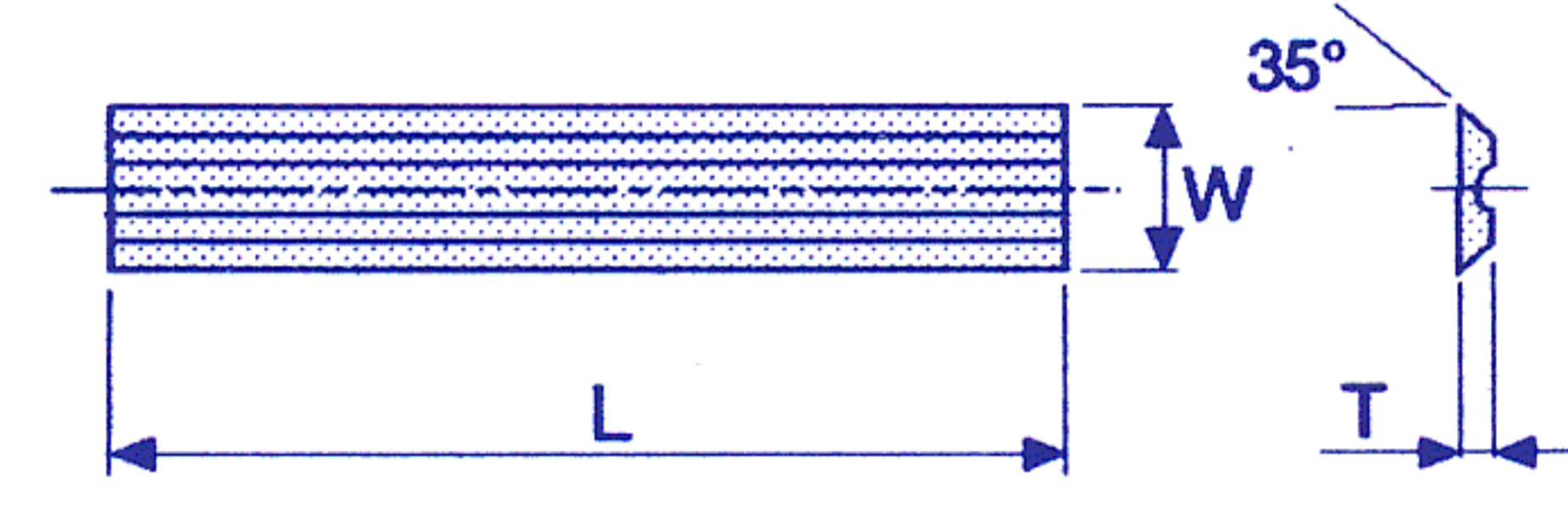
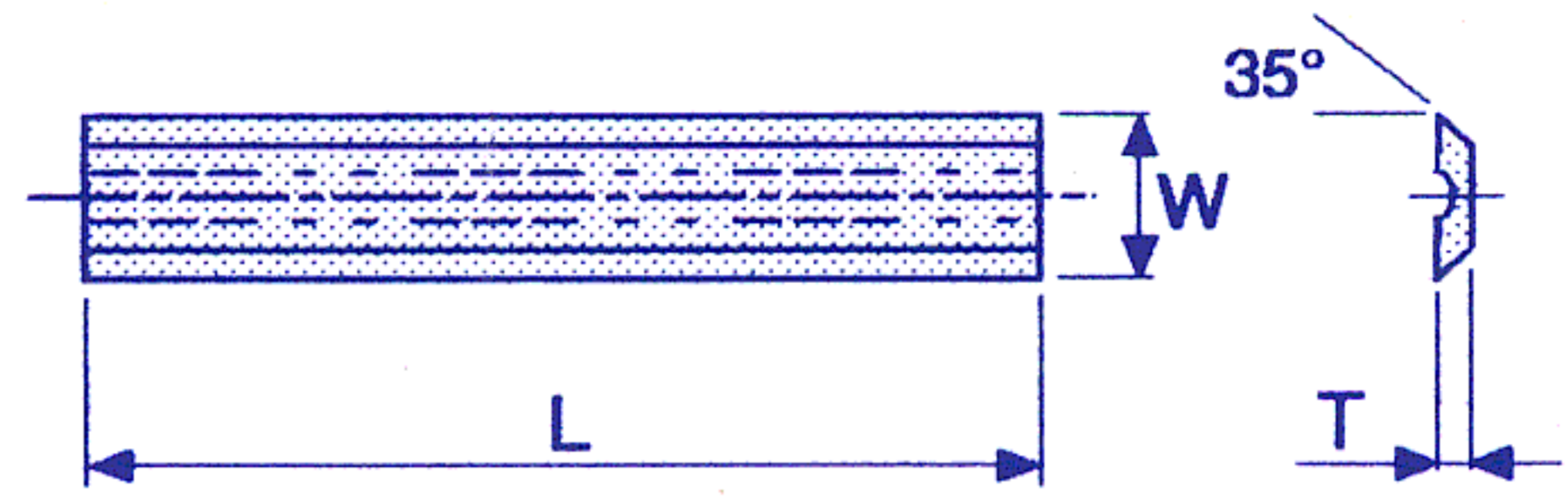


# STRAIGHT INSERT KNIVES

## For Insert Tooling – Mini Series

L	W	T
12 mm	5.5	1.1
20 mm	5.5	1.1
30 mm	5.5	1.1
40 mm	5.5	1.1
50 mm	5.5	1.1
12 mm	5.5	1.1
20 mm	5.5	1.1
30 mm	5.5	1.1
40 mm	5.5	1.1
50 mm	5.5	1.1
20 mm	5.5	1.1
30 mm	5.5	1.1
40 mm	5.5	1.1
50 mm	5.5	1.1
20 mm	5.5	1.1
30 mm	5.5	1.1
40 mm	5.5	1.1
50 mm	5.5	1.1



## SLASHER SAW & STUMP GRINDING TEETH

