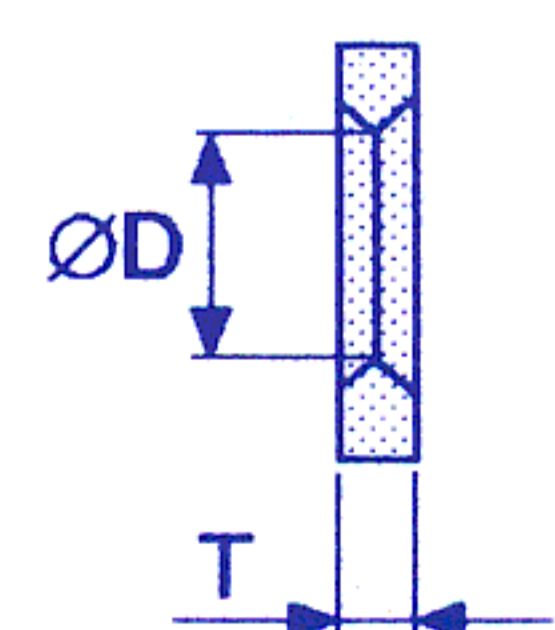
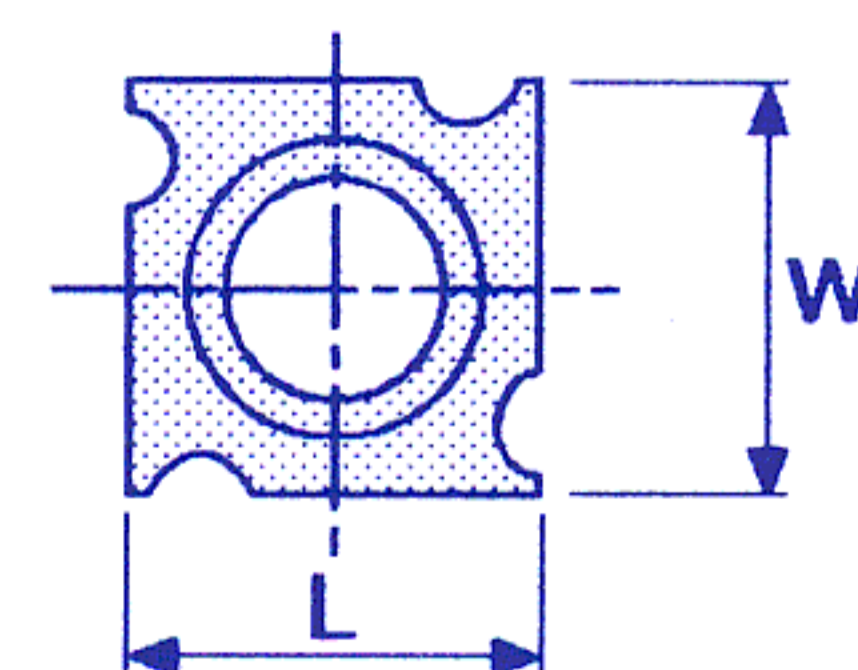
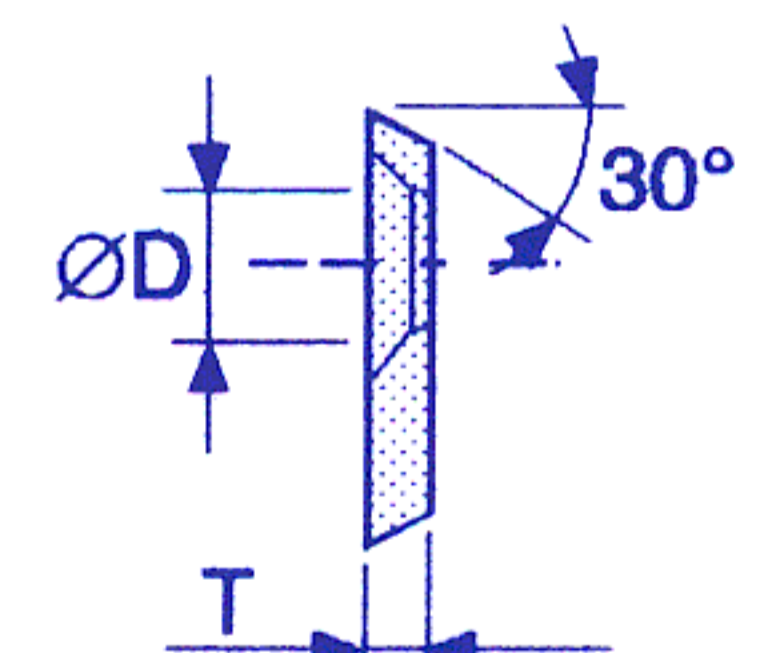
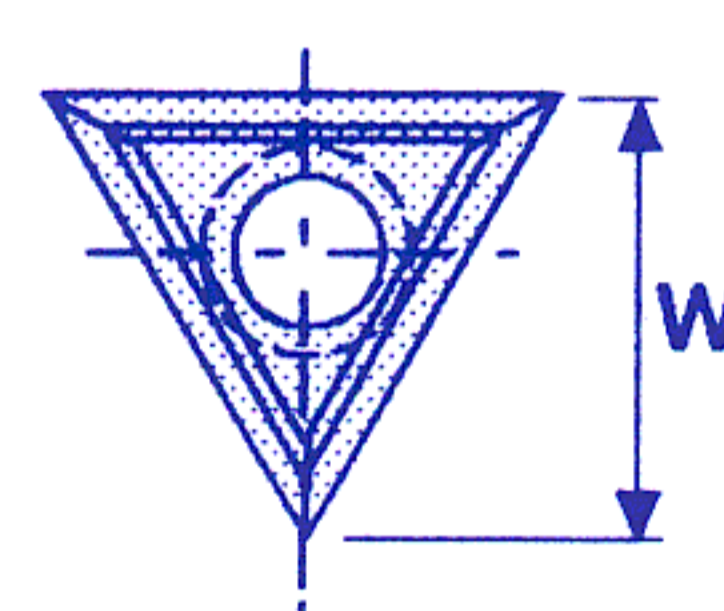
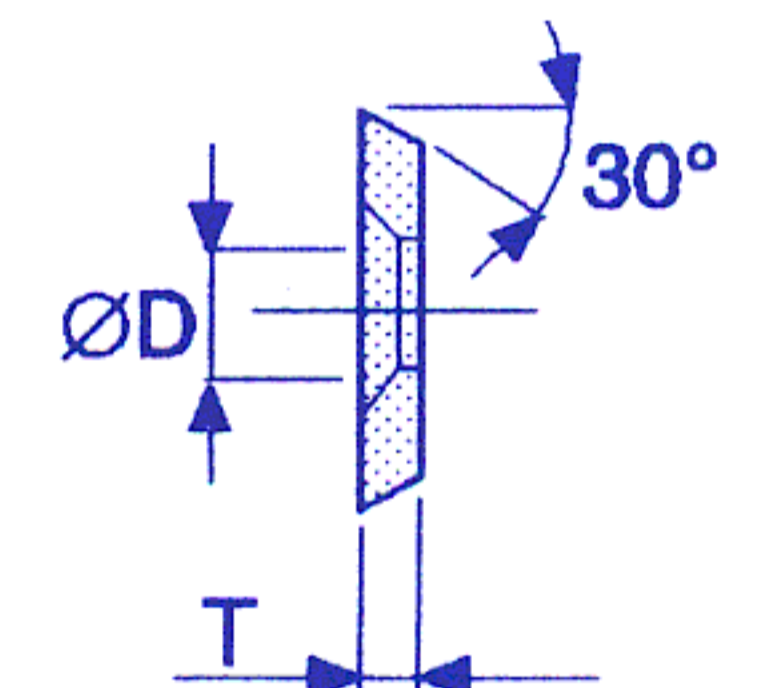
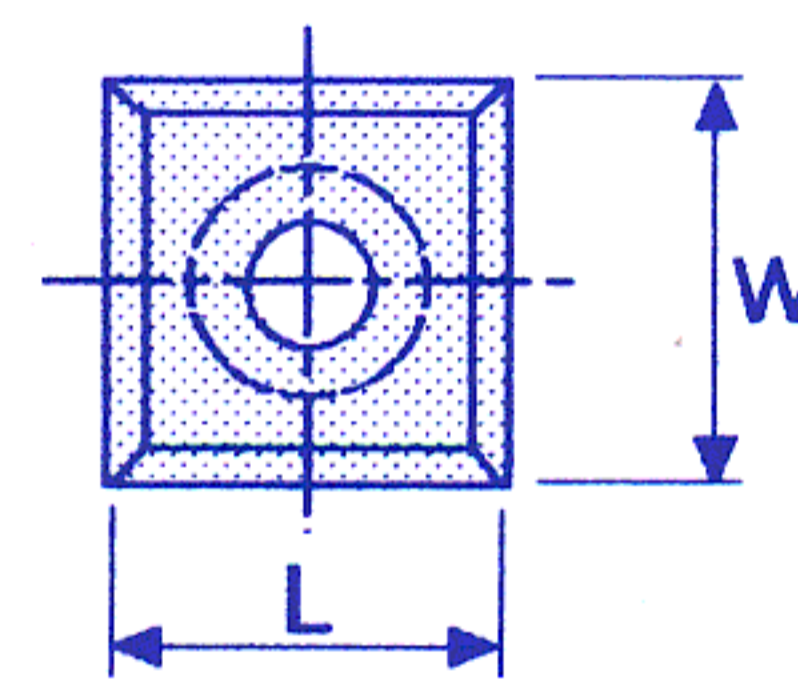
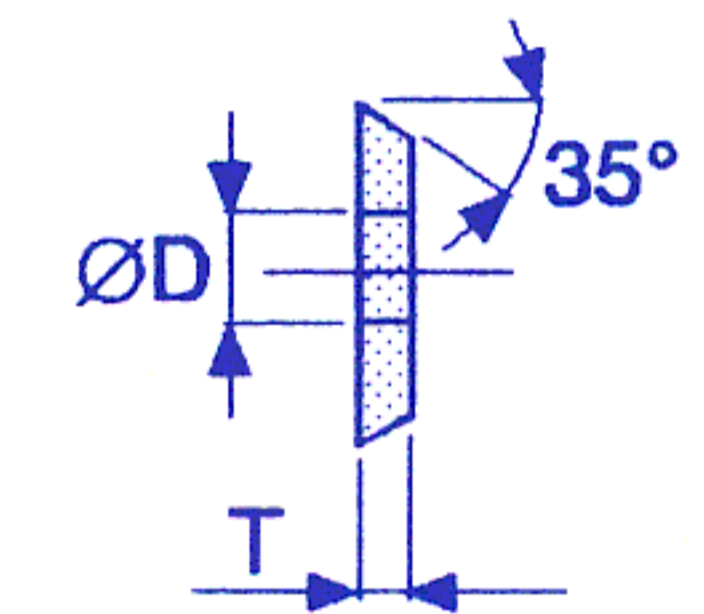
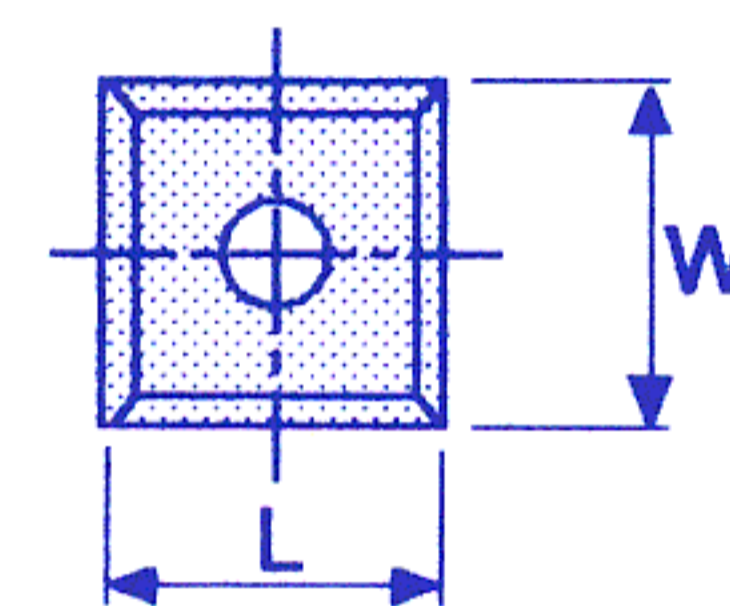
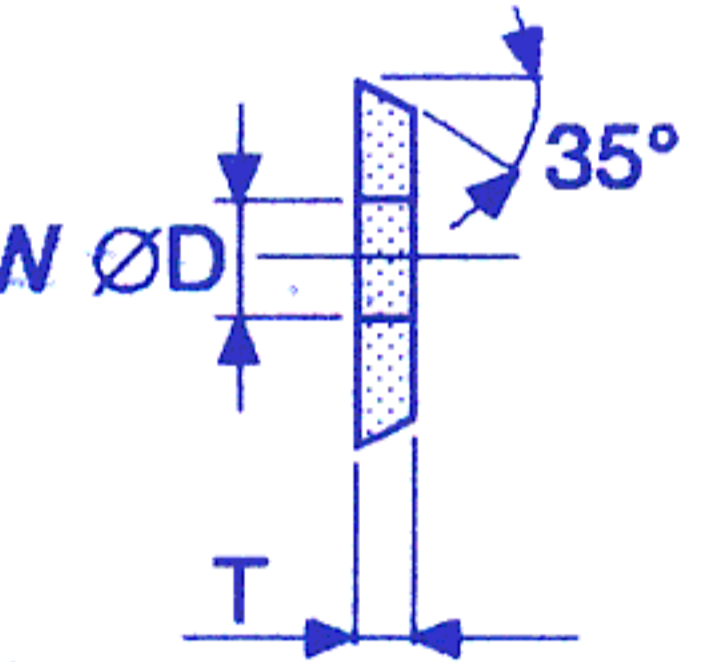
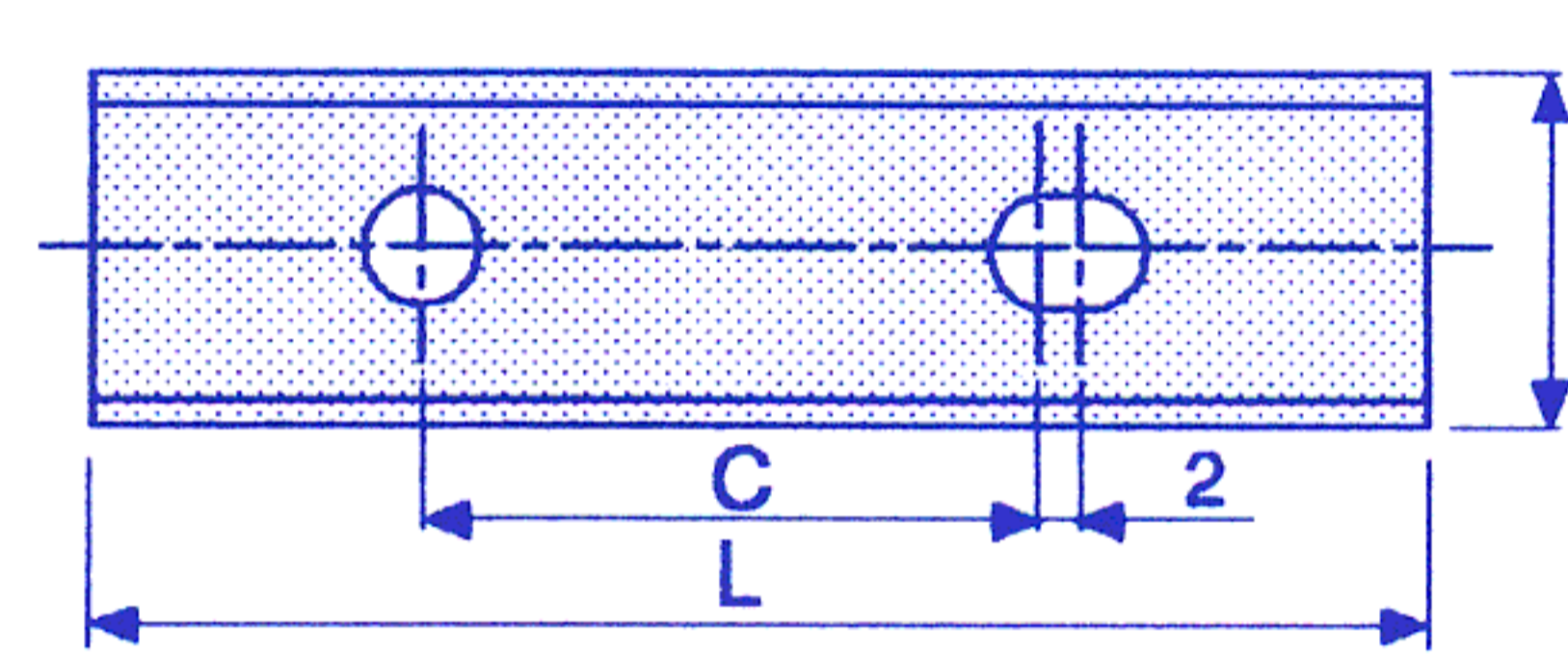
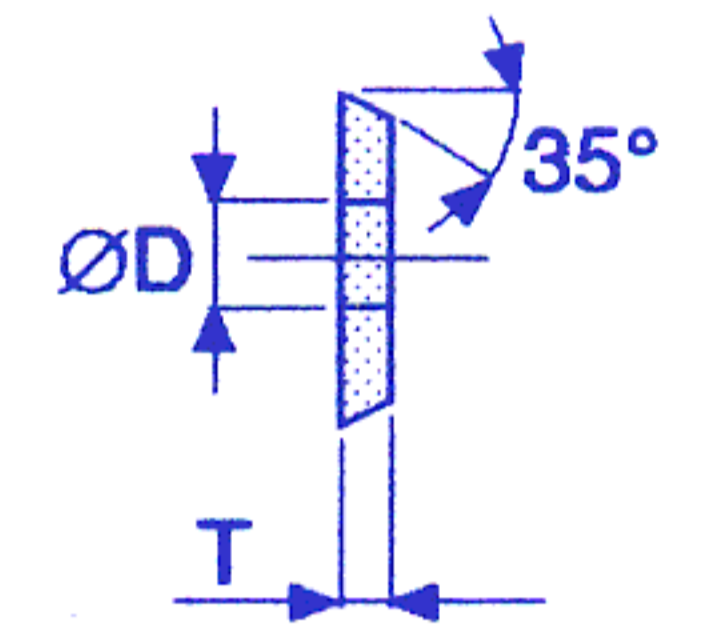
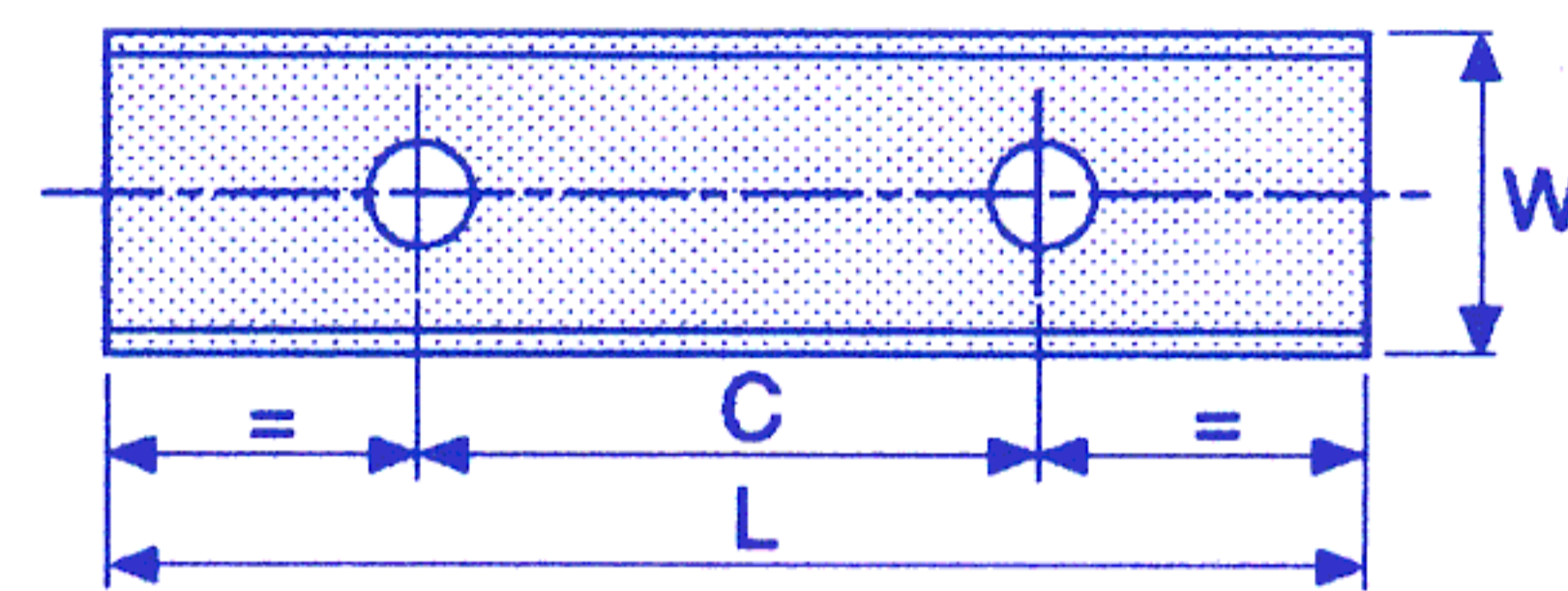
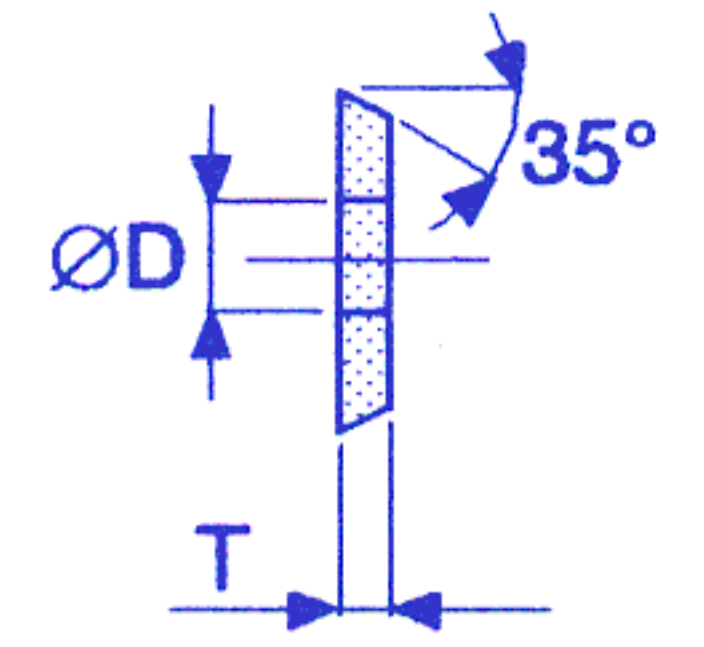
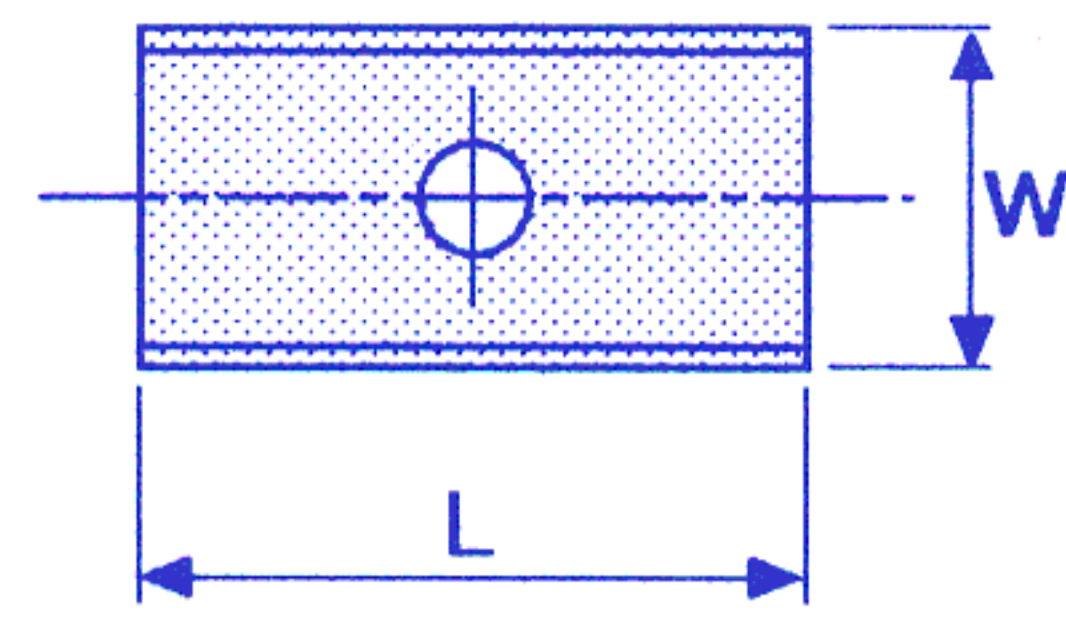


STRAIGHT INSERT KNIVES

For Insert Tooling

L	W	T	D	C
7.5	12.0	1.5	4.0	
7.65	12.0	1.5	4.0	
9.6	12.0	1.5	4.0	
10.5	10.5	1.5	4.0	
15.0	12.0	1.5	4.0	
20.0	12.0	1.5	4.0	
20.0	12.0	1.5	4.0	
30.0	12.0	1.5	4.0	14
30.0	12.0	1.5	4.0	14
40.0	12.0	1.5	4.0	26
50.0	12.0	1.5	4.0	26
50.0	12.0	1.5	4.0	26
60.0	12.0	1.5	4.0	26
80.0	13.0	2.2	4.0	59
100.0	13.0	2.2	4.0	59
120.0	13.0	2.2	4.0	59
12.0	12.0	1.5	4.0	
12.0	12.0	1.5	4.0	
14.0	14.0	2.0	6.5	
14.0	14.0	2.0	6.5	
14.0	14.0	1.2	6.5	
14.6	14.6	2.5	6.3	
15.0	15.0	2.5	6.3	
	19.0	2.0	6.5	
14.0	14.0	2.0	8.4	
18.0	18.0	1.95	10.3	
18.0	18.0	2.45		



See important safety information on the inside front cover.