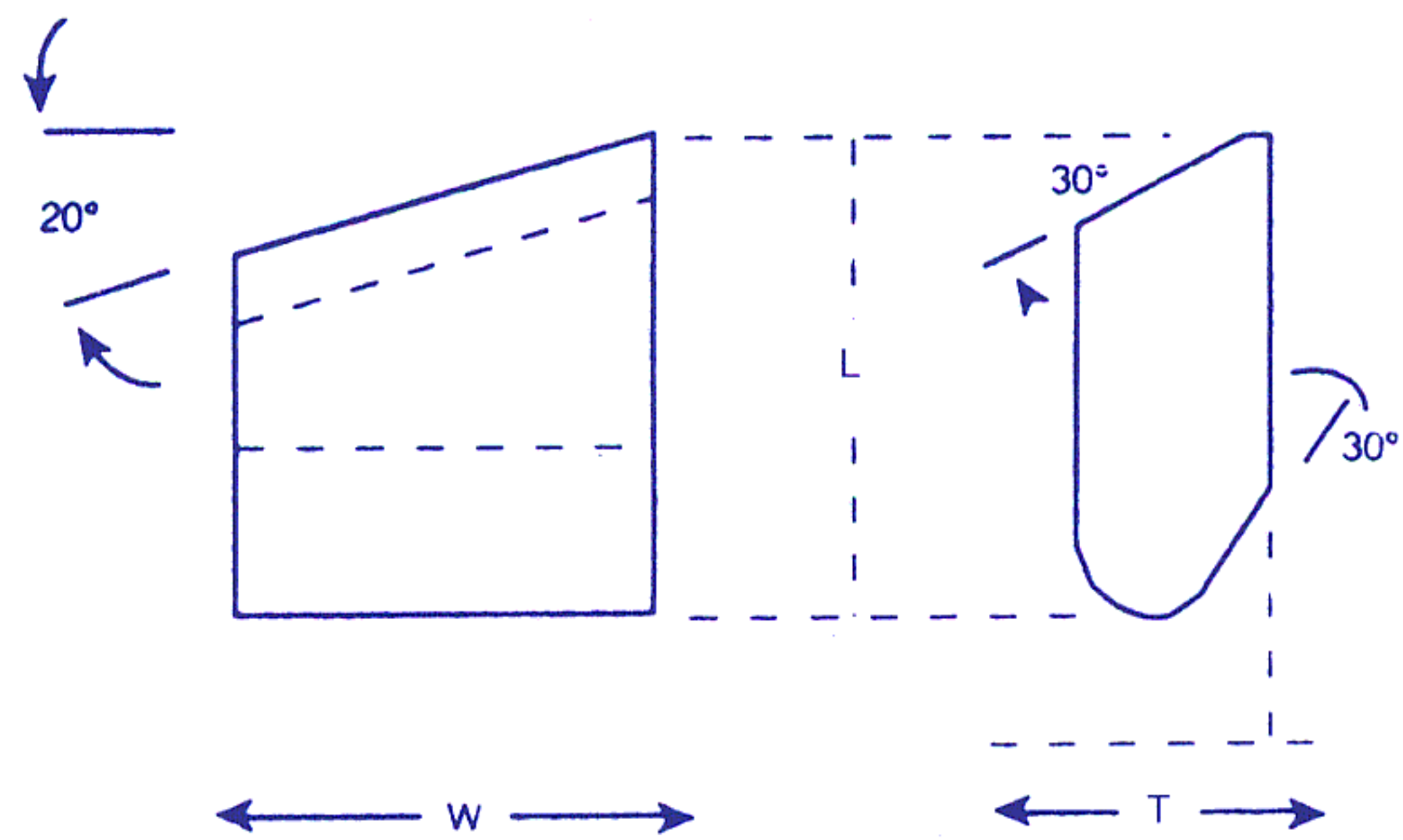


UNGROUND SAW TIPS

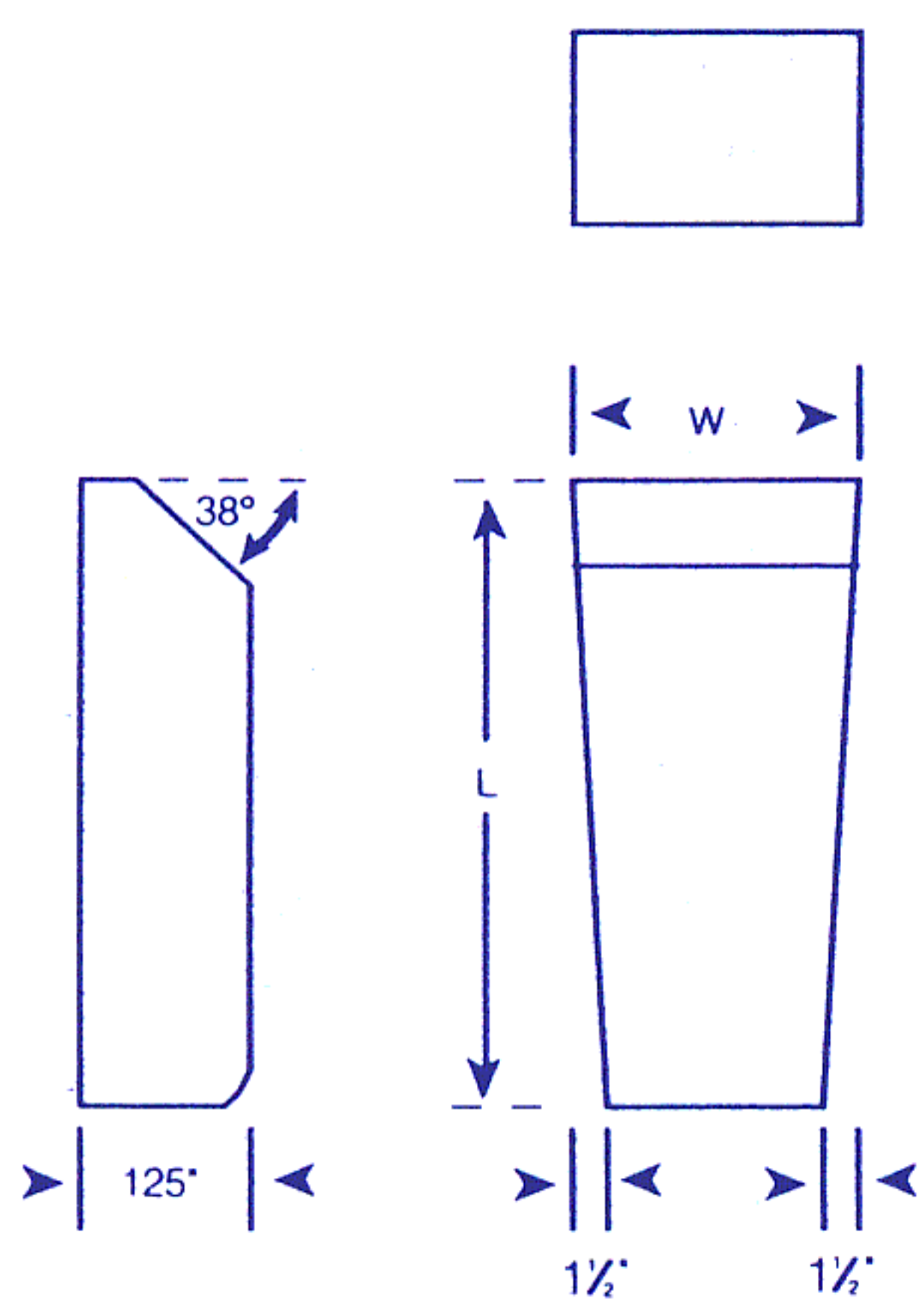
Right/Left Top Bevel

	L	T	W
CWD R/L 7150	.312	.093	.150
CWD R/L 7165	.312	.093	.165
CWD R/L 7185	.312	.093	.185
CWD R/L 7200	.312	.093	.200
CWD R/L 7215	.312	.093	.215
CWG R/L 7230	.375	.125	.230
CWG R/L 7250	.375	.125	.250
CWG R/L 7270	.375	.125	.270



Preground & Ground Edger Saw Tips

Unground Edger Tips

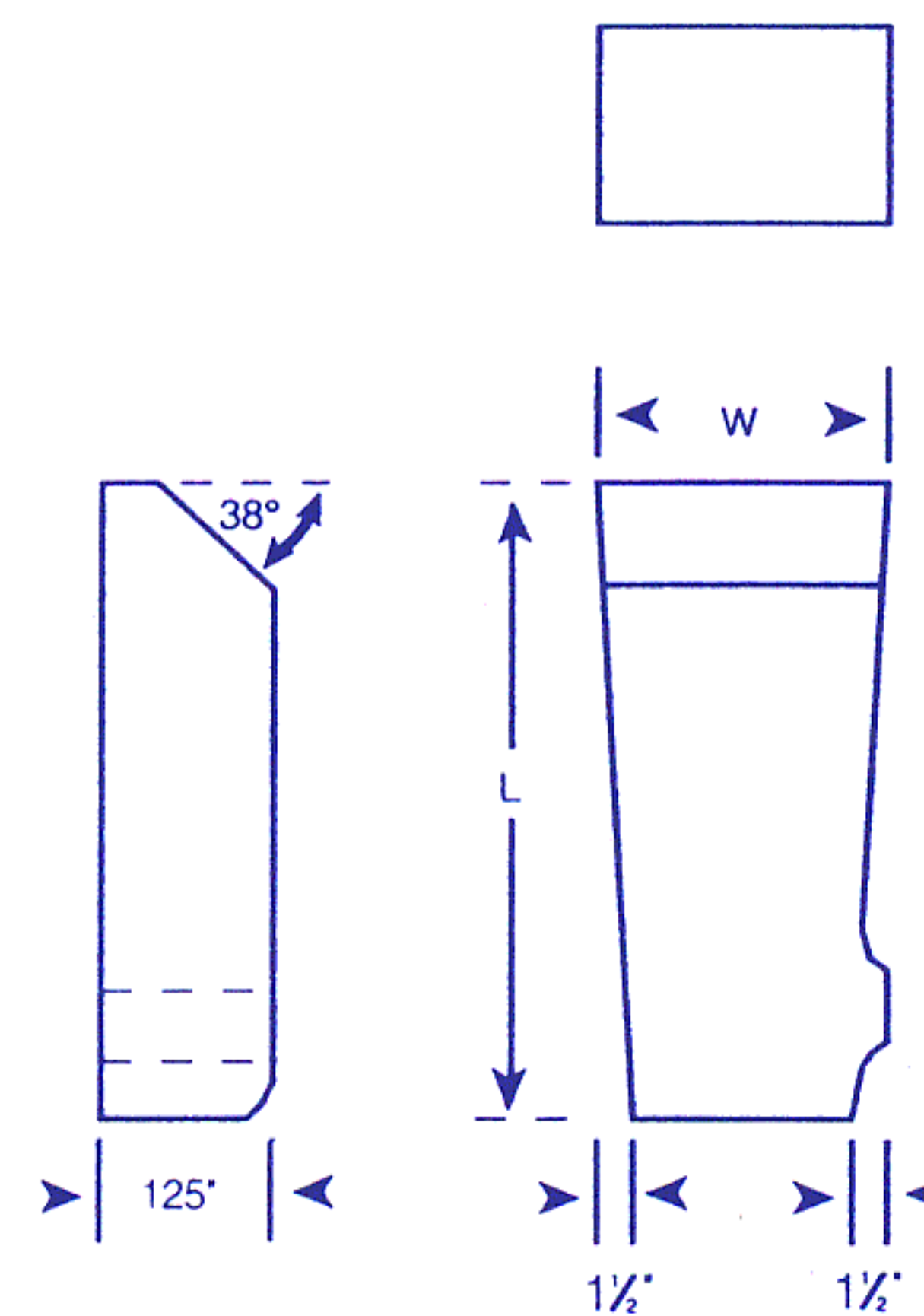


	L	T
ESN	.541	.125
ESF	.500	.125

Available widths:
.100 thru .320

Min. quantity: 250 pcs.

Unground Edger Tips with Lug



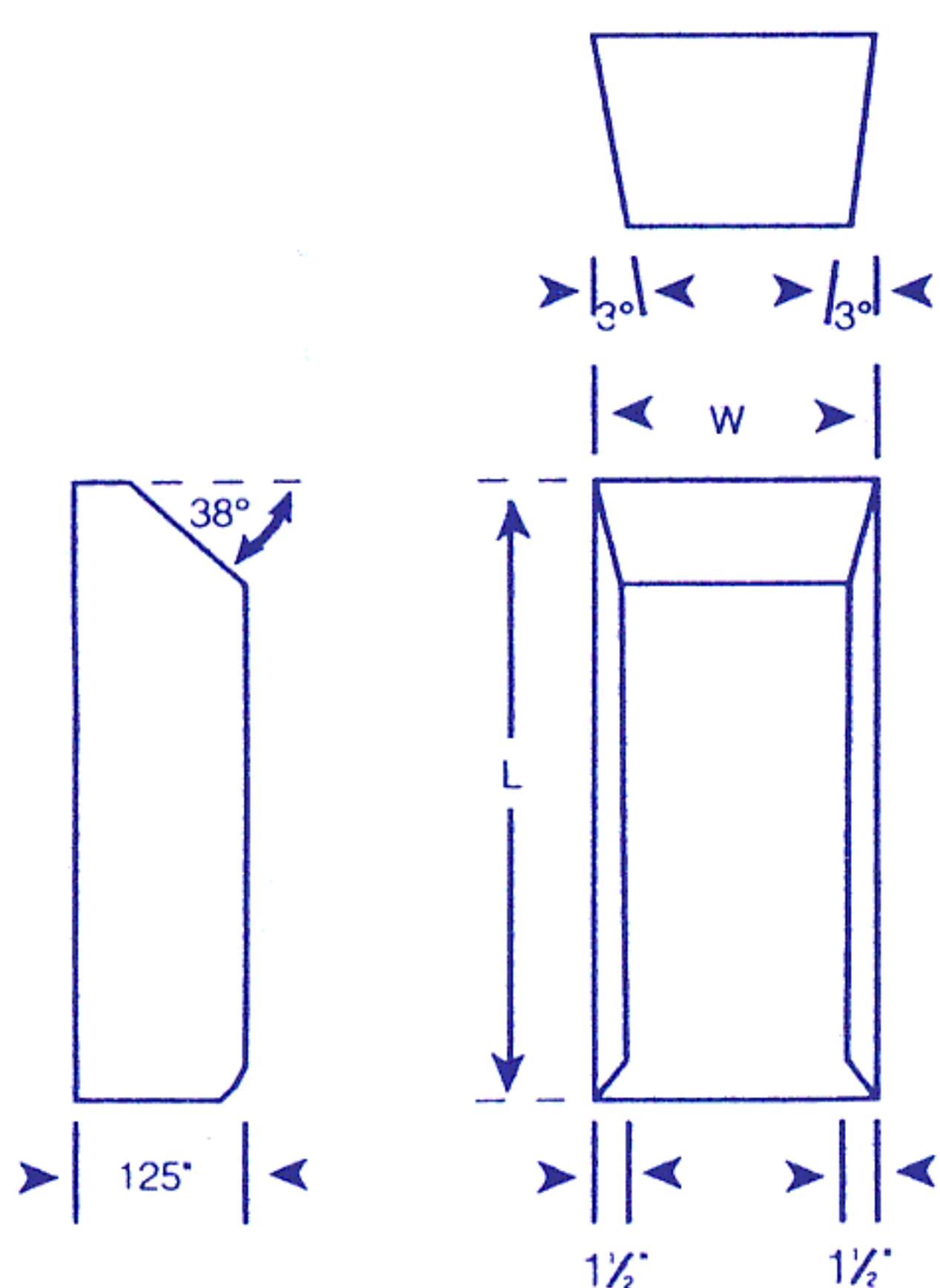
ESL series

length: .541
thickness: .125

Available widths:
.100 thru .320

Min. quantity: 250 pcs.

Preground Edger Tips



	L	T
PESN	.541	.125
PESF	.500	.125

Available widths:
.100 thru .320

Min. quantity: 250 pcs.



See important safety information on the inside front cover.